

4

3

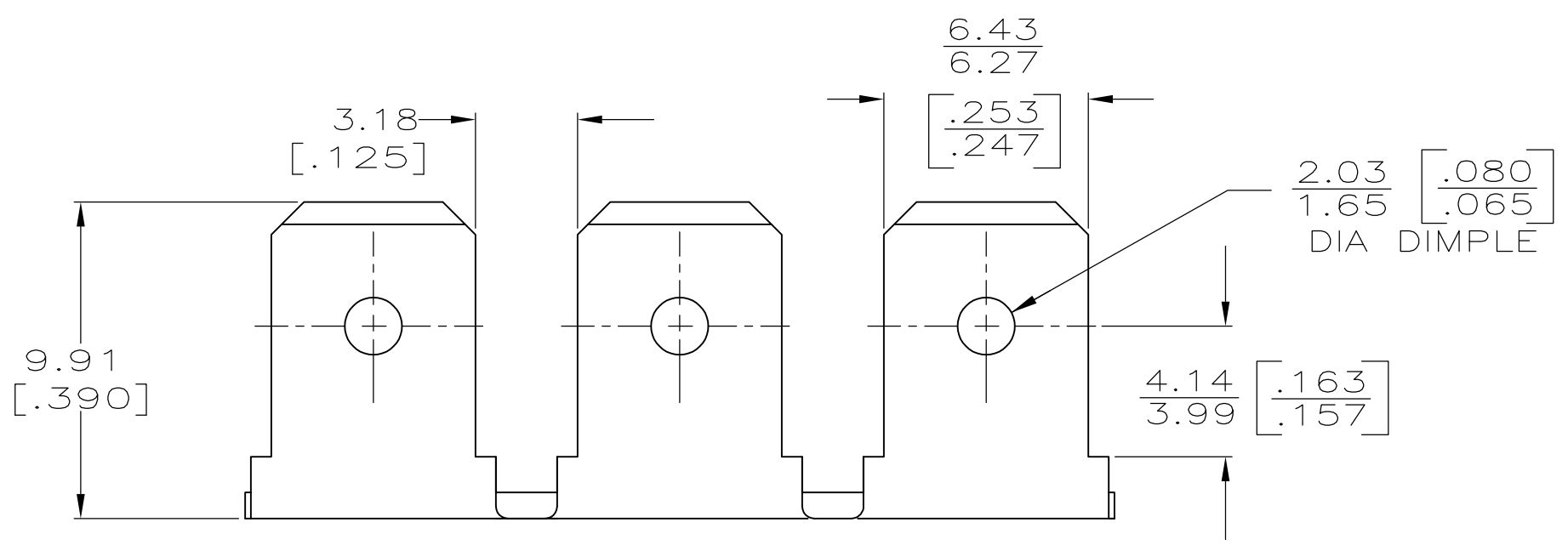
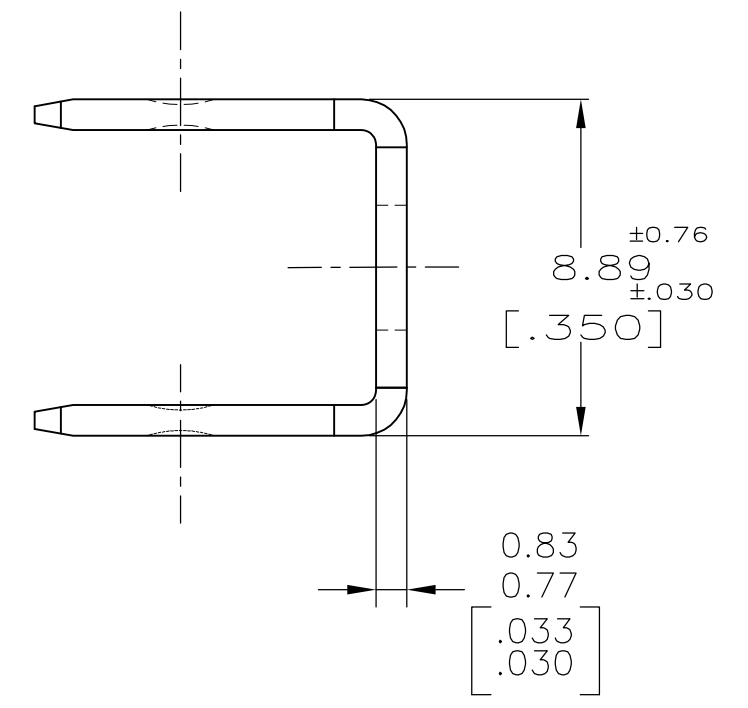
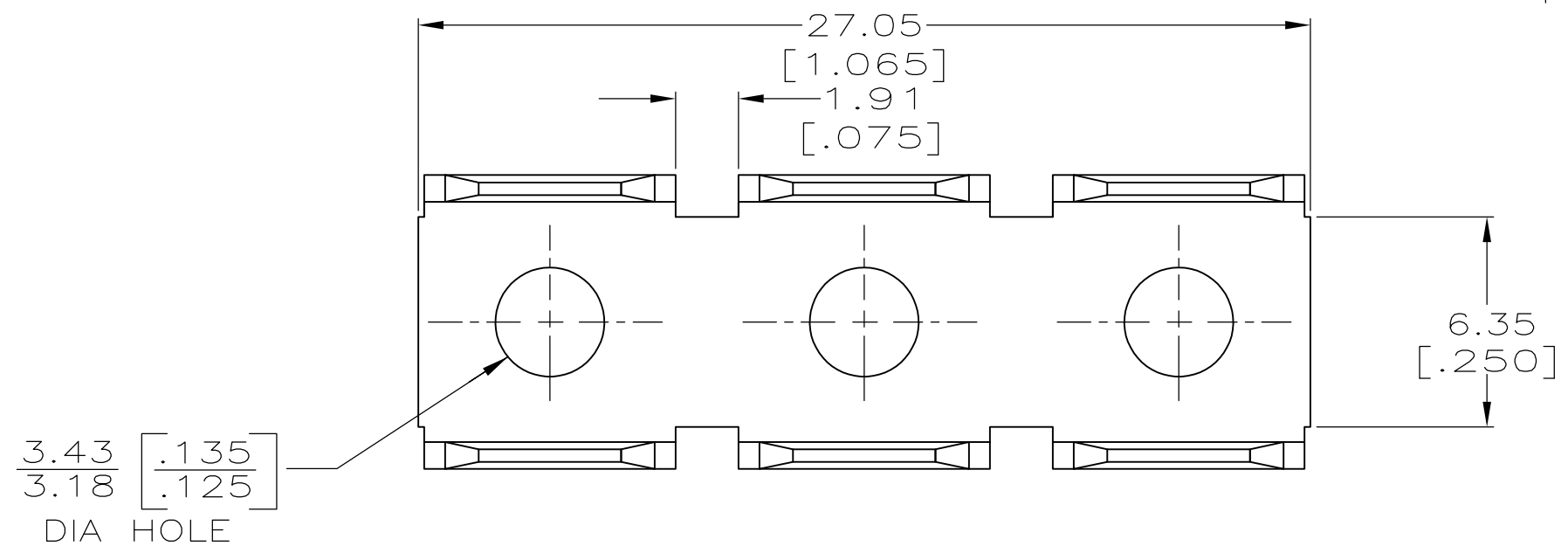
2

1

THIS DRAWING IS UNPUBLISHED. RELEASED FOR PUBLICATION
 © COPYRIGHT - By - ALL RIGHTS RESERVED.

LOC	DIST	REVISIONS					
AF	50	P	LTR	DESCRIPTION	DATE	DWN	APVD
		AG		REVISED PER ECR-13-011489	09DEC2013	KH	PD

1 SUPPLIED IN LOOSE PIECE.



41482
 PART NO

THIS DRAWING IS A CONTROLLED DOCUMENT.		DWN	JR RUTH	12/2/91	 TE Connectivity NAME TAB, FASTON, 6.35 [.250] SERIES
DIMENSIONS: mm [INCHES]		CHK	MS FEHER	12/2/91	
TOLERANCES UNLESS OTHERWISE SPECIFIED:		APVD	MEYERS	12/2/91	
0 PLC ± - 1 PLC ± - 2 PLC ± - 3 PLC ± 0.38 [.015] 4 PLC ± - ANGLES ± -		PRODUCT SPEC	-	APPLICATION SPEC	
MATERIAL	BRASS	FINISH	TIN	WEIGHT	-
SIZE		CAGE CODE	DRAWING NO	RESTRICTED TO	-
CUSTOMER DRAWING		A3	00779	C-41482	SCALE 5:1
SHEET		1 OF 1		REV	AG